



COMMONWEALTH OF KENTUCKY
TRANSPORTATION CABINET
www.transportation.ky.gov/

Andy Beshear
GOVERNOR

Jim Gray
SECRETARY

September 20, 2022

CALL NO. 101
CONTRACT ID NO. 221349
ADDENDUM # 2

Subject: MADISON COUNTY, NHPP 4212 (051)
Letting September 22, 2022

- (1) Revised - Proposal Bid Items - Pages 152-156 of 156
- (2) Revised - Plan Sheets - R2D, R2F, R2G, R3 and R4

Proposal revisions are available at <http://transportation.ky.gov/Construction-Procurement/>.

If you have any questions, please contact us at 502-564-3500.

Sincerely,

Rachel Mills,

A handwritten signature in cursive script that reads "Rachel Mills".

Rachel Mills, P.E.
Director
Division of Construction Procurement

RM:mr
Enclosures

PROPOSAL BID ITEMS

221349

Page 1 of 5

Report Date 9/20/22

Section: 0001 - PAVING

LINE	BID CODE	ALT	DESCRIPTION	QUANTITY	UNIT	UNIT PRIC	FP	AMOUNT
0010	00003		CRUSHED STONE BASE	72,199.70	TON		\$	
0020	00008		CEMENT STABILIZED ROADBED	90,605.10	SQYD		\$	
0030	00020		TRAFFIC BOUND BASE	2,000.00	TON		\$	
0040	00100		ASPHALT SEAL AGGREGATE	219.10	TON		\$	
0050	00103		ASPHALT SEAL COAT	26.40	TON		\$	
0060	00212		CL2 ASPH BASE 1.00D PG64-22	4,031.20	TON		\$	
0070	00214		CL3 ASPH BASE 1.00D PG64-22	26,871.70	TON		\$	
0080	00301		CL2 ASPH SURF 0.38D PG64-22	1,470.50	TON		\$	
0090	00307		CL2 ASPH SURF 0.38B PG64-22	372.10	TON		\$	
0100	00356		ASPHALT MATERIAL FOR TACK	69.70	TON		\$	
0110	00358		ASPHALT CURING SEAL	181.20	TON		\$	
0120	00388		CL3 ASPH SURF 0.38B PG64-22	199.90	TON		\$	
0130	02101		CEM CONC ENT PAVEMENT-8 IN (REVISED 9-20-22)	1,455.00	SQYD		\$	
0140	02542		CEMENT	1,679.80	TON		\$	
0150	02676		MOBILIZATION FOR MILL & TEXT	1.00	LS		\$	
0160	02677		ASPHALT PAVE MILLING & TEXTURING	342.50	TON		\$	
0170	02702		SAND FOR BLOTTER	226.50	TON		\$	
0180	22906ES403		CL3 ASPH SURF 0.38A PG64-22	5,792.50	TON		\$	

Section: 0002 - ROADWAY

LINE	BID CODE	ALT	DESCRIPTION	QUANTITY	UNIT	UNIT PRIC	FP	AMOUNT
0190	00078		CRUSHED AGGREGATE SIZE NO 2	6,106.00	TON		\$	
0200	01000		PERFORATED PIPE-4 IN	1,647.00	LF		\$	
0210	01005		PERFORATED PIPE EDGE DRAIN-4 IN	926.00	LF		\$	
0220	01010		NON-PERFORATED PIPE-4 IN	90.00	LF		\$	
0230	01015		INSPECT & CERTIFY EDGE DRAIN SYSTEM	1.00	LS		\$	
0240	01020		PERF PIPE HEADWALL TY 1-4 IN	6.00	EACH		\$	
0250	01024		PERF PIPE HEADWALL TY 2-4 IN	1.00	EACH		\$	
0260	01028		PERF PIPE HEADWALL TY 3-4 IN	1.00	EACH		\$	
0270	01032		PERF PIPE HEADWALL TY 4-4 IN	1.00	EACH		\$	
0280	01310		REMOVE PIPE	867.00	LF		\$	
0290	01718		REMOVE INLET	5.00	EACH		\$	
0300	01740		CORED HOLE DRAINAGE BOX CON-4 IN	2.00	EACH		\$	
0310	01810		STANDARD CURB AND GUTTER	87.00	LF		\$	
0320	01825		ISLAND CURB AND GUTTER	731.00	LF		\$	
0330	01891		ISLAND HEADER CURB TYPE 2	73.00	LF		\$	
0340	01987		DELINEATOR FOR GUARDRAIL BI DIRECTIONAL WHITE	92.00	EACH		\$	
0350	02014		BARRICADE-TYPE III	24.00	EACH		\$	
0360	02091		REMOVE PAVEMENT	3,693.00	SQYD		\$	
0370	02159		TEMP DITCH	6,788.00	LF		\$	
0380	02160		CLEAN TEMP DITCH	3,394.00	LF		\$	
0390	02200		ROADWAY EXCAVATION	120,964.00	CUYD		\$	
0400	02242		WATER	1,286.00	MGAL		\$	

PROPOSAL BID ITEMS

221349

Page 2 of 5

Report Date 9/20/22

LINE	BID CODE	ALT	DESCRIPTION	QUANTITY	UNIT	UNIT PRIC	FP	AMOUNT
0410	02351		GUARDRAIL-STEEL W BEAM-S FACE	6,643.00	LF		\$	
0420	02360		GUARDRAIL TERMINAL SECTION NO 1	10.00	EACH		\$	
0430	02363		GUARDRAIL CONNECTOR TO BRIDGE END TY A	4.00	EACH		\$	
0440	02369		GUARDRAIL END TREATMENT TYPE 2A	14.00	EACH		\$	
0450	02381		REMOVE GUARDRAIL	573.00	LF		\$	
0460	02391		GUARDRAIL END TREATMENT TYPE 4A	10.00	EACH		\$	
0470	02429		RIGHT-OF-WAY MONUMENT TYPE 1	45.00	EACH		\$	
0480	02432		WITNESS POST	45.00	EACH		\$	
0490	02483		CHANNEL LINING CLASS II	3,292.00	TON		\$	
0500	02484		CHANNEL LINING CLASS III	2,799.00	TON		\$	
0510	02545		CLEARING AND GRUBBING 54.1 ACRES	1.00	LS		\$	
0520	02562		TEMPORARY SIGNS	345.00	SQFT		\$	
0530	02603		FABRIC-GEOTEXTILE CLASS 2	39,228.00	SQYD		\$	
0540	02607		FABRIC-GEOTEXTILE CLASS 2 FOR PIPE	16,820.00	SQYD	\$2.00	\$	\$33,640.00
0550	02625		REMOVE HEADWALL	27.00	EACH		\$	
0560	02650		MAINTAIN & CONTROL TRAFFIC	1.00	LS		\$	
0570	02671		PORTABLE CHANGEABLE MESSAGE SIGN	2.00	EACH		\$	
0580	02690		SAFELOADING	313.10	CUYD		\$	
0590	02701		TEMP SILT FENCE	6,788.00	LF		\$	
0600	02703		SILT TRAP TYPE A	64.00	EACH		\$	
0610	02704		SILT TRAP TYPE B	64.00	EACH		\$	
0620	02705		SILT TRAP TYPE C	64.00	EACH		\$	
0630	02706		CLEAN SILT TRAP TYPE A	192.00	EACH		\$	
0640	02707		CLEAN SILT TRAP TYPE B	192.00	EACH		\$	
0650	02708		CLEAN SILT TRAP TYPE C	192.00	EACH		\$	
0660	02719		SIDEWALK-4 1/2 INCH CONCRETE	52.00	SQYD		\$	
0670	02726		STAKING	1.00	LS		\$	
0680	02731		REMOVE STRUCTURE	1.00	LS		\$	
0690	03171		CONCRETE BARRIER WALL TYPE 9T	8,380.00	LF		\$	
0700	05950		EROSION CONTROL BLANKET	10,010.00	SQYD		\$	
0710	05952		TEMP MULCH	105,895.00	SQYD		\$	
0720	05953		TEMP SEEDING AND PROTECTION	79,422.00	SQYD		\$	
0730	05963		INITIAL FERTILIZER	4.90	TON		\$	
0740	05964		MAINTENANCE FERTILIZER	8.20	TON		\$	
0750	05985		SEEDING AND PROTECTION	158,843.00	SQYD		\$	
0760	05989		SPECIAL SEEDING CROWN VETCH	28,375.00	SQYD		\$	
0770	05990		SODDING	39.00	SQYD		\$	
0780	05992		AGRICULTURAL LIMESTONE	98.40	TON		\$	
0790	06510		PAVE STRIPING-TEMP PAINT-4 IN	73,820.00	LF		\$	
0800	06514		PAVE STRIPING-PERM PAINT-4 IN	36,910.00	LF		\$	
0810	06515		PAVE STRIPING-PERM PAINT-6 IN	27,513.00	LF		\$	
0820	06568		PAVE MARKING-THERMO STOP BAR-24IN	305.00	LF		\$	
0830	06569		PAVE MARKING-THERMO CROSS-HATCH	312.00	SQFT		\$	
0840	06574		PAVE MARKING-THERMO CURV ARROW	55.00	EACH		\$	
0850	06610		INLAID PAVEMENT MARKER-MW	114.00	EACH		\$	
0860	06612		INLAID PAVEMENT MARKER-BY	655.00	EACH		\$	
0870	08901		CRASH CUSHION TY VI CLASS BT TL2	6.00	EACH		\$	
0880	10020NS		FUEL ADJUSTMENT	126,046.00	DOLL	\$1.00	\$	\$126,046.00

PROPOSAL BID ITEMS

221349

Page 3 of 5

Report Date 9/20/22

LINE	BID CODE	ALT	DESCRIPTION	QUANTITY	UNIT	UNIT PRIC	FP	AMOUNT
0890	10030NS		ASPHALT ADJUSTMENT	151,450.00	DOLL	\$1.00	\$	\$151,450.00
0900	20362ES403		SHOULDER RUMBLE STRIPS-SAWED	26,427.00	LF		\$	
0910	20430ED		SAW CUT	413.00	LF		\$	
0920	24814EC		PIPELINE INSPECTION	2,226.00	LF		\$	

Section: 0003 - DRAINAGE

LINE	BID CODE	ALT	DESCRIPTION	QUANTITY	UNIT	UNIT PRIC	FP	AMOUNT
0930	00440		ENTRANCE PIPE-15 IN	141.00	LF		\$	
0940	00441		ENTRANCE PIPE-18 IN	194.00	LF		\$	
0950	00443		ENTRANCE PIPE-24 IN	445.00	LF		\$	
0960	00461		CULVERT PIPE-15 IN	54.00	LF		\$	
0970	00462		CULVERT PIPE-18 IN	128.00	LF		\$	
0980	00464		CULVERT PIPE-24 IN	350.00	LF		\$	
0990	00466		CULVERT PIPE-30 IN	104.00	LF		\$	
1000	00468		CULVERT PIPE-36 IN	229.00	LF		\$	
1010	00469		CULVERT PIPE-42 IN	379.00	LF		\$	
1020	00470		CULVERT PIPE-48 IN	303.00	LF		\$	
1030	00471		CULVERT PIPE-54 IN	68.00	LF		\$	
1040	00522		STORM SEWER PIPE-18 IN	620.00	LF		\$	
1050	00524		STORM SEWER PIPE-24 IN	193.00	LF		\$	
1060	00526		STORM SEWER PIPE-30 IN	23.00	LF		\$	
1070	00528		STORM SEWER PIPE-36 IN	17.00	LF		\$	
1080	01204		PIPE CULVERT HEADWALL-18 IN	1.00	EACH		\$	
1090	01208		PIPE CULVERT HEADWALL-24 IN	1.00	EACH		\$	
1100	01210		PIPE CULVERT HEADWALL-30 IN	2.00	EACH		\$	
1110	01212		PIPE CULVERT HEADWALL-36 IN	4.00	EACH		\$	
1120	01214		PIPE CULVERT HEADWALL-42 IN	6.00	EACH		\$	
1130	01216		PIPE CULVERT HEADWALL-48 IN	4.00	EACH		\$	
1140	01451		S & F BOX INLET-OUTLET-24 IN	2.00	EACH		\$	
1150	01453		S & F BOX INLET-OUTLET-36 IN	1.00	EACH		\$	
1160	01456		CURB BOX INLET TYPE A	4.00	EACH		\$	
1170	01480		CURB BOX INLET TYPE B	2.00	EACH		\$	
1180	01496		DROP BOX INLET TYPE 3	3.00	EACH		\$	
1190	01544		DROP BOX INLET TYPE 11	3.00	EACH		\$	
1200	01634		CAP CURB BOX INLET	2.00	EACH		\$	
1210	01756		MANHOLE TYPE A	1.00	EACH		\$	
1220	01767		MANHOLE TYPE C	1.00	EACH		\$	
1230	23148EN		END ANCHORS	2.00	EACH		\$	

Section: 0004 - BRIDGE - 26033 - OVER CSXT INDUSTRIAL TRACK

LINE	BID CODE	ALT	DESCRIPTION	QUANTITY	UNIT	UNIT PRIC	FP	AMOUNT
1240	02231		STRUCTURE GRANULAR BACKFILL	535.00	CUYD		\$	
1250	02998		MASONRY COATING	304.00	SQYD		\$	
1260	03299		ARMORED EDGE FOR CONCRETE	114.90	LF		\$	
1270	08001		STRUCTURE EXCAVATION-COMMON	359.00	CUYD		\$	

PROPOSAL BID ITEMS

221349

Page 4 of 5

Report Date 9/20/22

LINE	BID CODE	ALT	DESCRIPTION	QUANTITY	UNIT	UNIT PRIC	FP	AMOUNT
1280	08002		STRUCTURE EXCAV-SOLID ROCK	222.00	CUYD		\$	
1290	08100		CONCRETE-CLASS A	265.40	CUYD		\$	
1300	08104		CONCRETE-CLASS AA	178.40	CUYD		\$	
1310	08150		STEEL REINFORCEMENT	29,841.00	LB		\$	
1320	08151		STEEL REINFORCEMENT-EPOXY COATED	35,902.00	LB		\$	
1330	08672		PRECAST PC BOX BEAM SB42	654.50	LF		\$	
1340	08711		BRIDGE CHAIN LINK FENCE-6 FT	174.00	LF		\$	
1350	21532ED		RAIL SYSTEM TYPE III	250.70	LF		\$	

Section: 0005 - BRIDGE - 26295 - RETAINING WALL

LINE	BID CODE	ALT	DESCRIPTION	QUANTITY	UNIT	UNIT PRIC	FP	AMOUNT
1360	02223		GRANULAR EMBANKMENT	111.00	CUYD		\$	
1370	02231		STRUCTURE GRANULAR BACKFILL	1,630.00	CUYD		\$	
1380	02555		CONCRETE-CLASS B	673.00	CUYD		\$	
1390	08001		STRUCTURE EXCAVATION-COMMON	771.00	CUYD		\$	
1400	08002		STRUCTURE EXCAV-SOLID ROCK	33.00	CUYD		\$	

Section: 0006 - BRIDGE - 26301 - RCBC 6'X4'

LINE	BID CODE	ALT	DESCRIPTION	QUANTITY	UNIT	UNIT PRIC	FP	AMOUNT
1410	08003		FOUNDATION PREPARATION	1.00	LS		\$	
1420	08100		CONCRETE-CLASS A	91.00	CUYD		\$	
1430	08150		STEEL REINFORCEMENT	6,238.00	LB		\$	

Section: 0007 - SIGNING

LINE	BID CODE	ALT	DESCRIPTION	QUANTITY	UNIT	UNIT PRIC	FP	AMOUNT
1440	06407		SBM ALUM SHEET SIGNS .125 IN	248.00	SQFT		\$	
1450	06410		STEEL POST TYPE 1	648.00	LF		\$	
1460	06412		STEEL POST MILE MARKERS	3.00	EACH		\$	
1470	24631EC		BARCODE SIGN INVENTORY	62.00	EACH		\$	

Section: 0008 - SIGNALIZATION

LINE	BID CODE	ALT	DESCRIPTION	QUANTITY	UNIT	UNIT PRIC	FP	AMOUNT
1480	04820		TRENCHING AND BACKFILLING	80.00	LF		\$	
1490	04844		CABLE-NO. 14/5C	1,750.00	LF		\$	
1500	04885		MESSENGER-10800 LB	700.00	LF		\$	
1510	04932		INSTALL STEEL STRAIN POLE	4.00	EACH		\$	
1520	04953		TEMP RELOCATION OF SIGNAL HEAD	20.00	EACH		\$	
1530	20188NS835		INSTALL LED SIGNAL-3 SECTION	8.00	EACH		\$	
1540	20266ES835		INSTALL LED SIGNAL- 4 SECTION	2.00	EACH		\$	
1550	20390NS835		INSTALL COORDINATING UNIT	1.00	EACH		\$	
1560	23157EN		TRAFFIC SIGNAL POLE BASE	20.00	CUYD		\$	

PROPOSAL BID ITEMS

221349

Page 5 of 5

Report Date 9/20/22

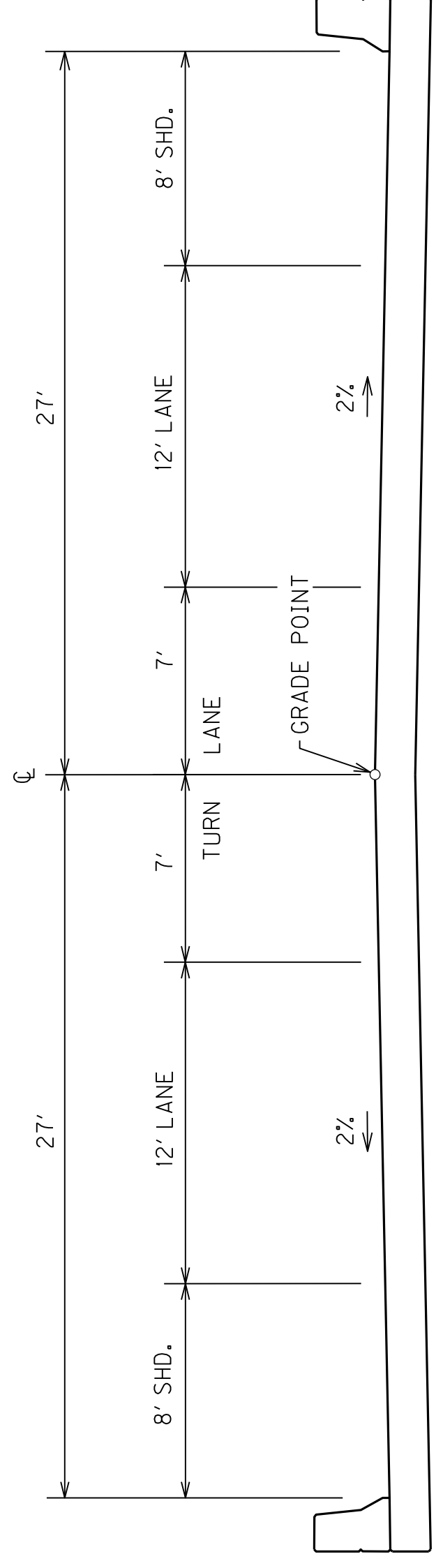
LINE	BID CODE	ALT	DESCRIPTION	QUANTITY	UNIT	UNIT PRIC	FP	AMOUNT
1570	24901EC		PVC CONDUIT-2 IN-SCHEDULE 80	80.00	LF		\$	
1580	24908EC		INSTALL SIGNAL CONTROLLER-TY ATC	1.00	EACH		\$	
1590	24955ED		REMOVE SIGNAL EQUIPMENT	1.00	EACH		\$	
1600	26119EC		INSTALL RADAR PRESENCE DETECTOR TYPE A	4.00	EACH		\$	
1610	26120EC		INSTALL RADAR ADVANCE DETECTOR TYPE B	2.00	EACH		\$	

Section: 0009 - DEMOBILIZATION &/OR MOBILIZATION

LINE	BID CODE	ALT	DESCRIPTION	QUANTITY	UNIT	UNIT PRIC	FP	AMOUNT
1620	02568		MOBILIZATION	1.00	LS		\$	
1630	02569		DEMOBILIZATION	1.00	LS		\$	

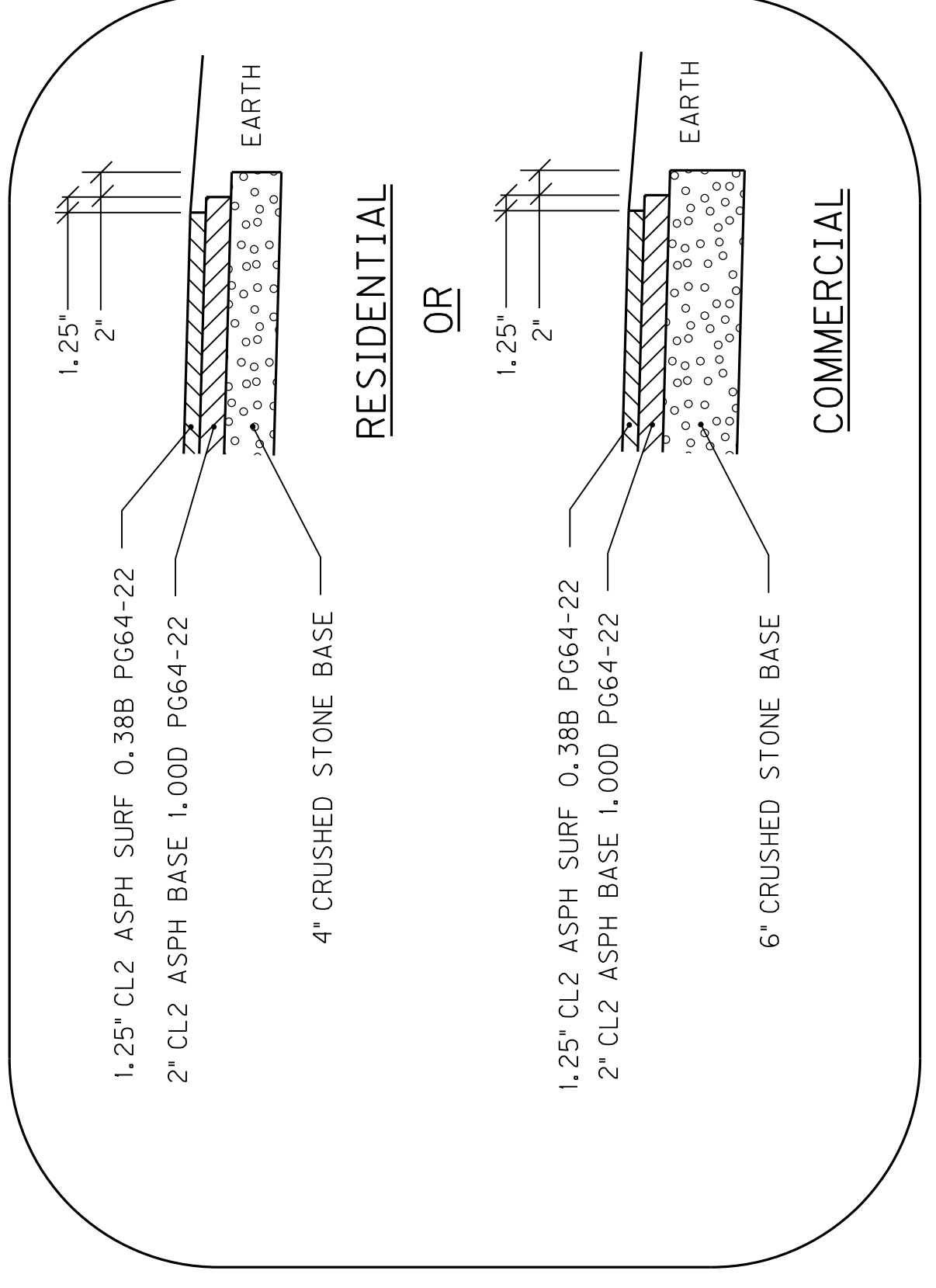
COUNTY OF	ITEM NO.	SHEET NO.
MADISON	7-251.10 7-251.40	R2d

TYPICAL SECTIONS



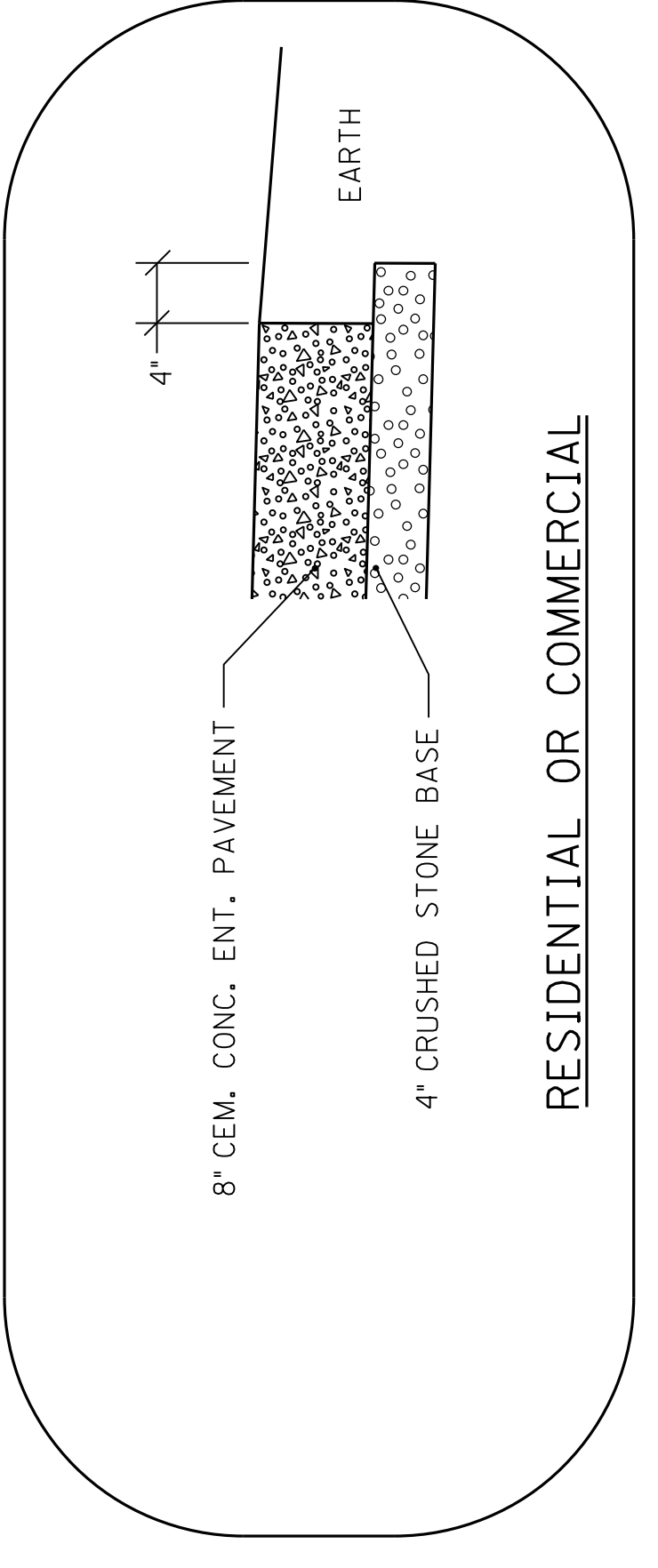
US 25 BRIDGE

ASPHALT ENTRANCE

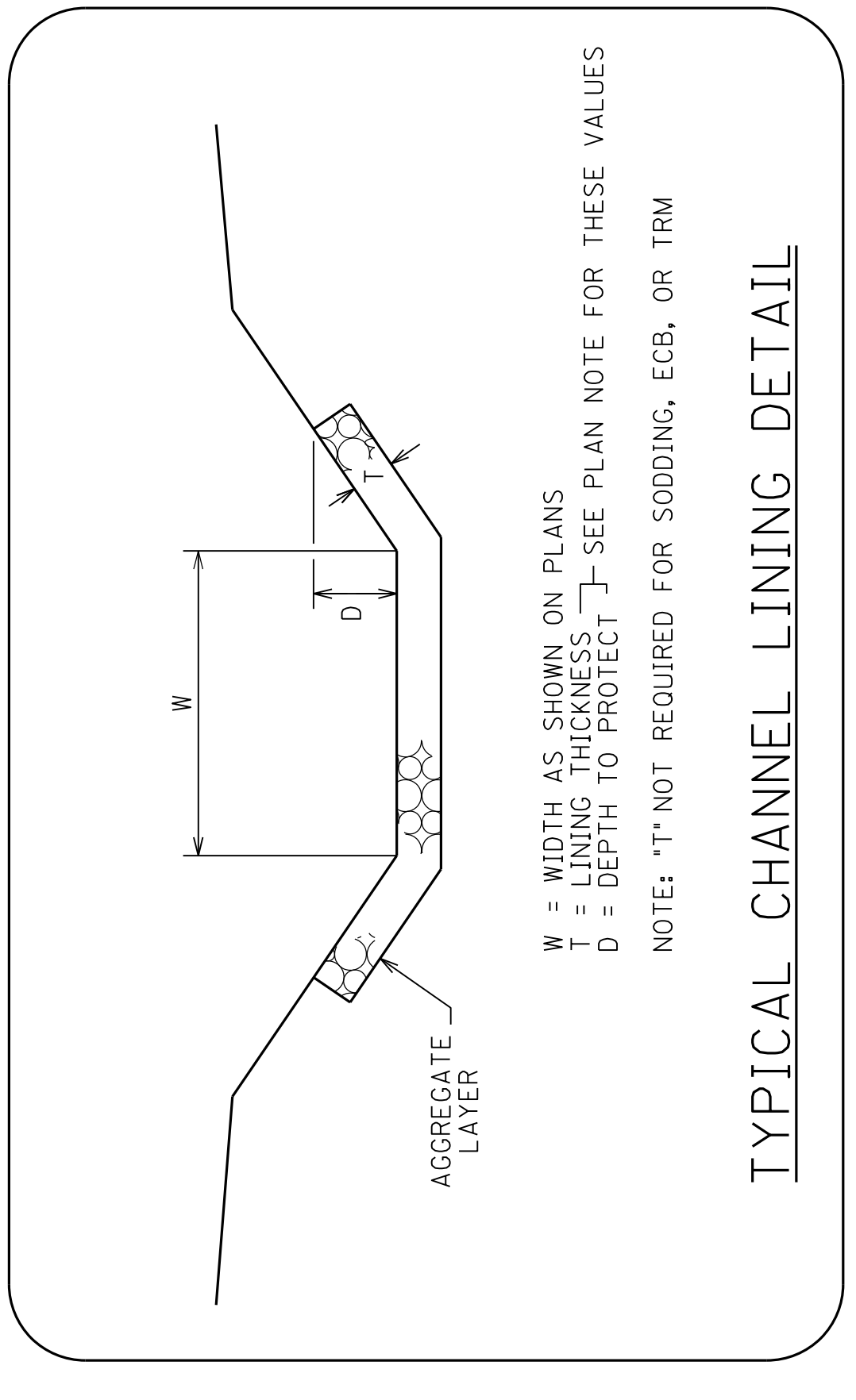


DETAIL E

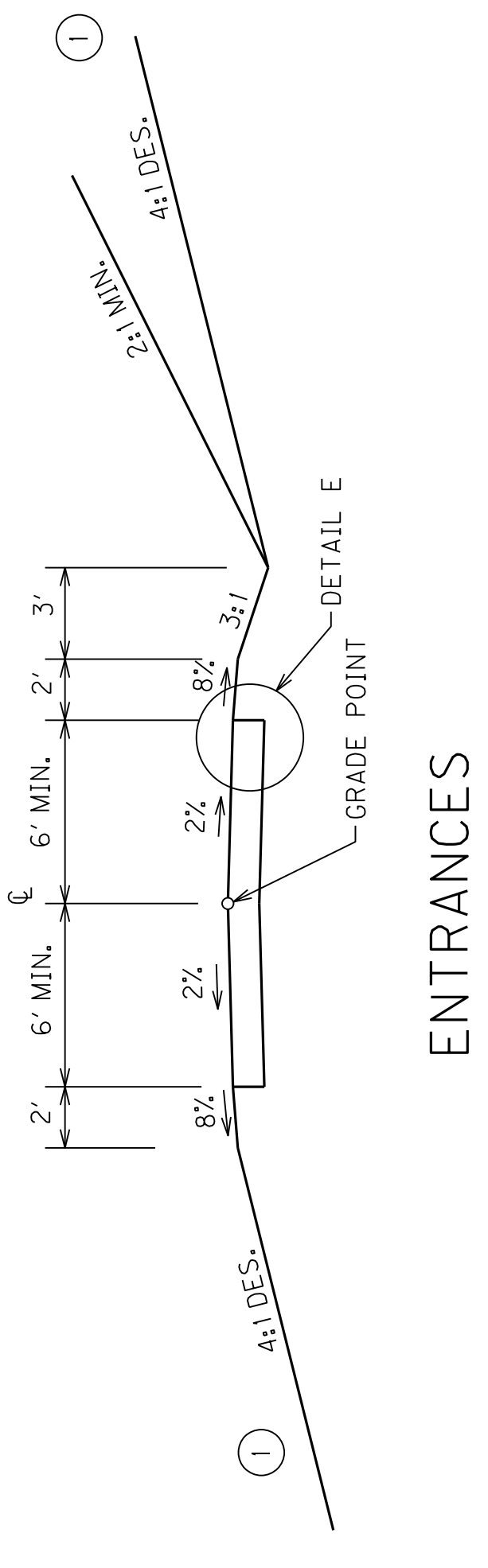
CONCRETE ENTRANCE



DETAIL E



TYPICAL CHANNEL LINING DETAIL

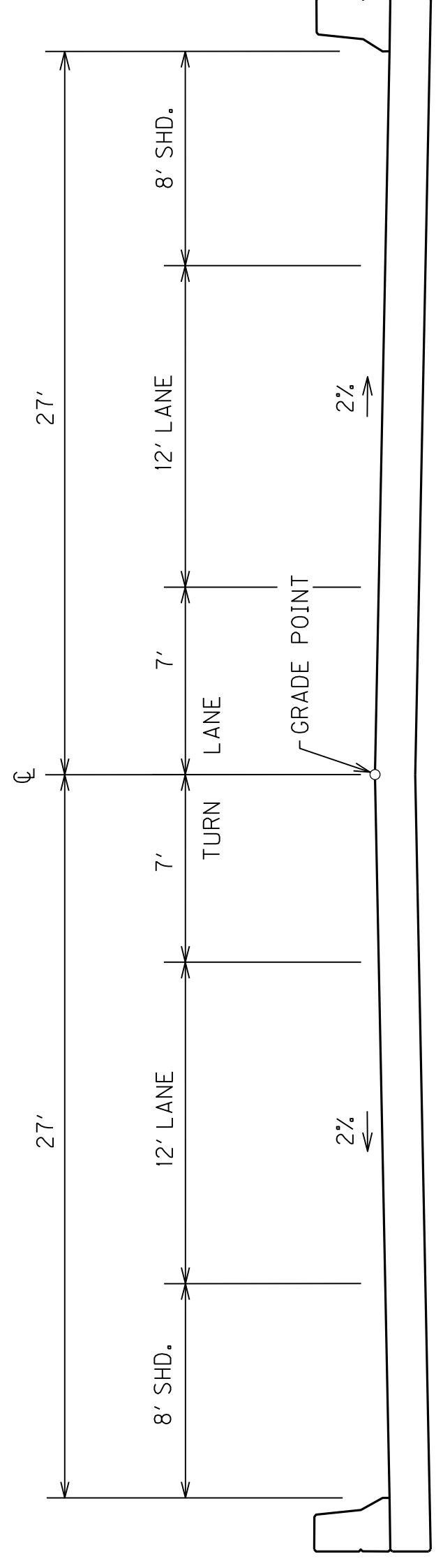


① SEE CROSS SECTIONS FOR SLOPES OUTSIDE THE LIMITS OF THE SHOULDER.

TYPICAL SECTIONS

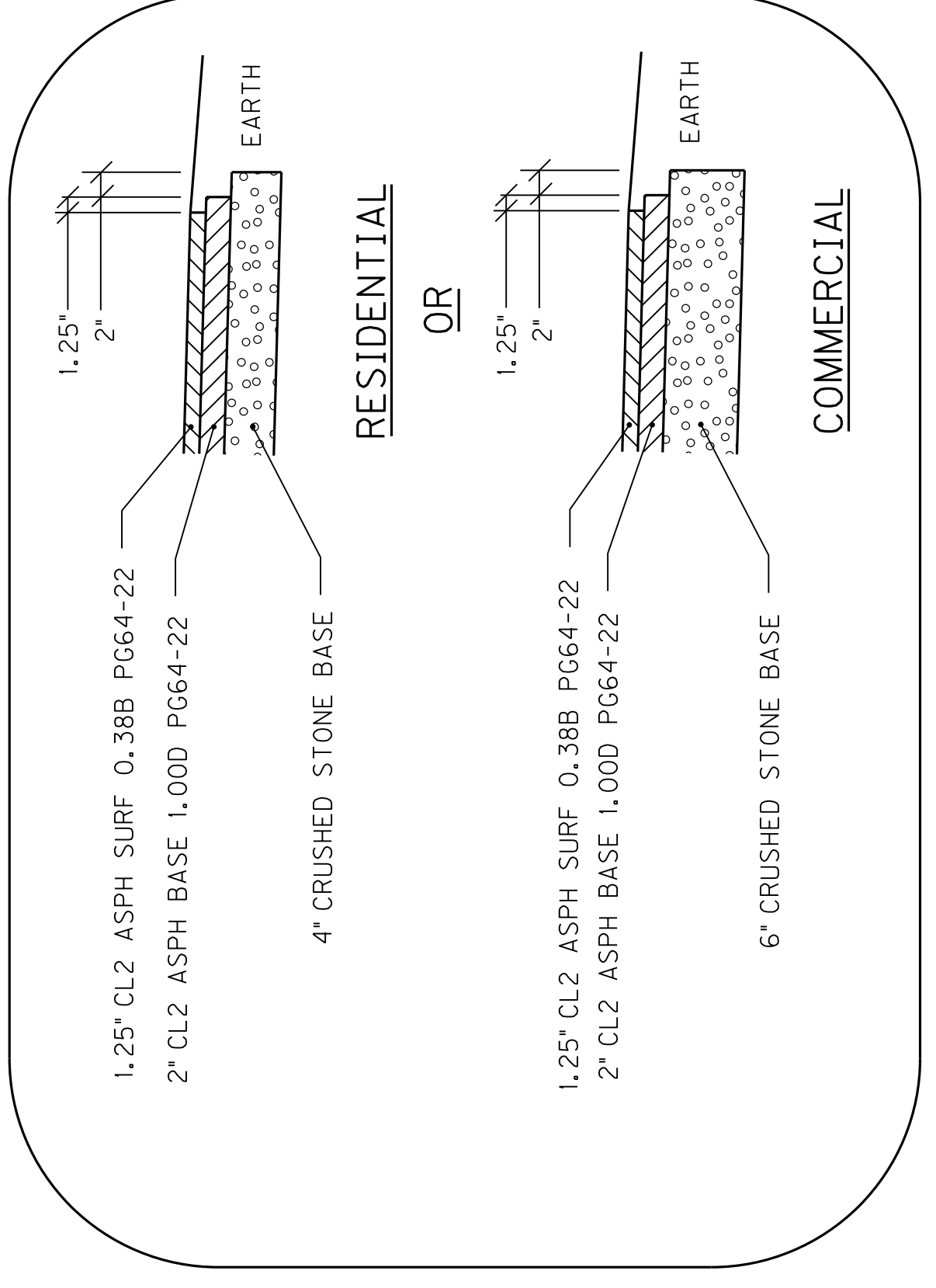
COUNTY OF	ITEM NO.	SHEET NO.
MADISON	7-251.10 7-251.40	R2d

TYPICAL SECTIONS



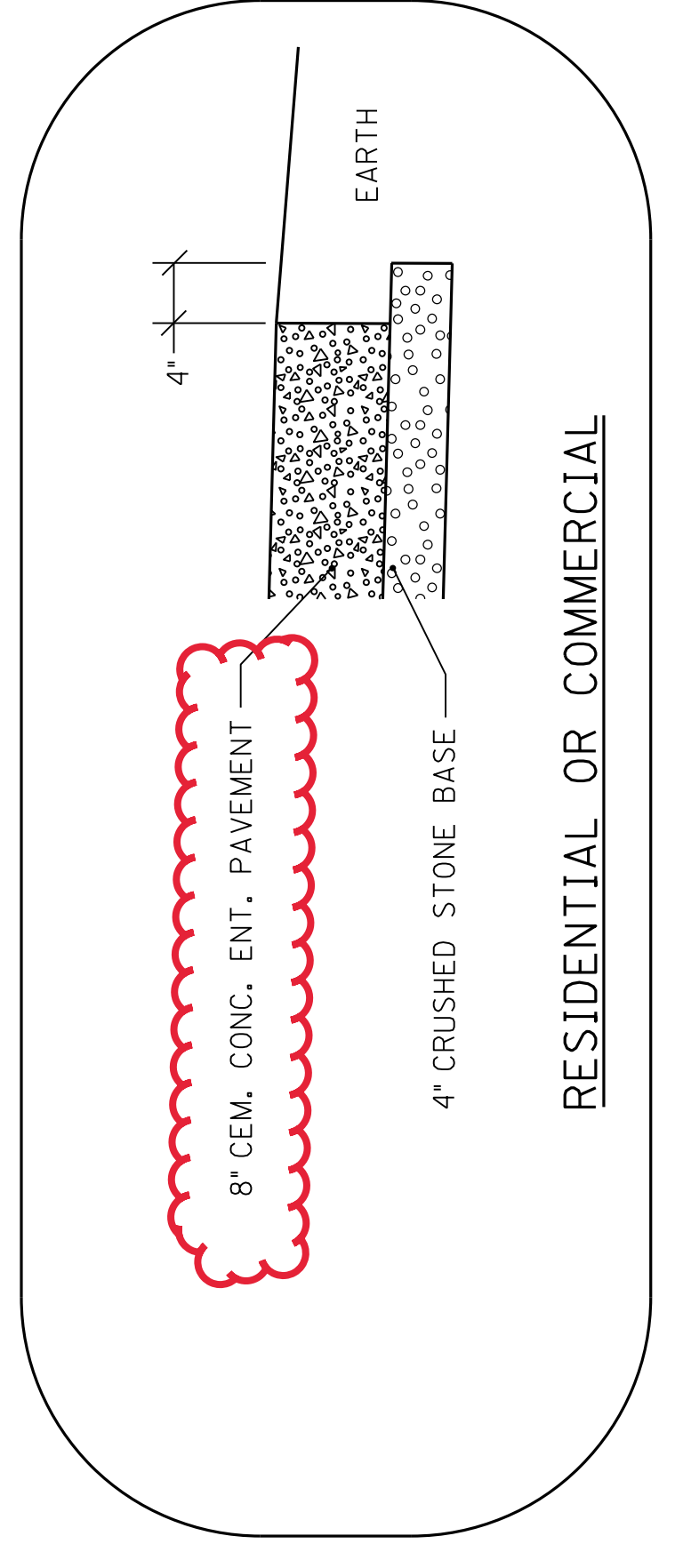
US 25 BRIDGE

ASPHALT ENTRANCE

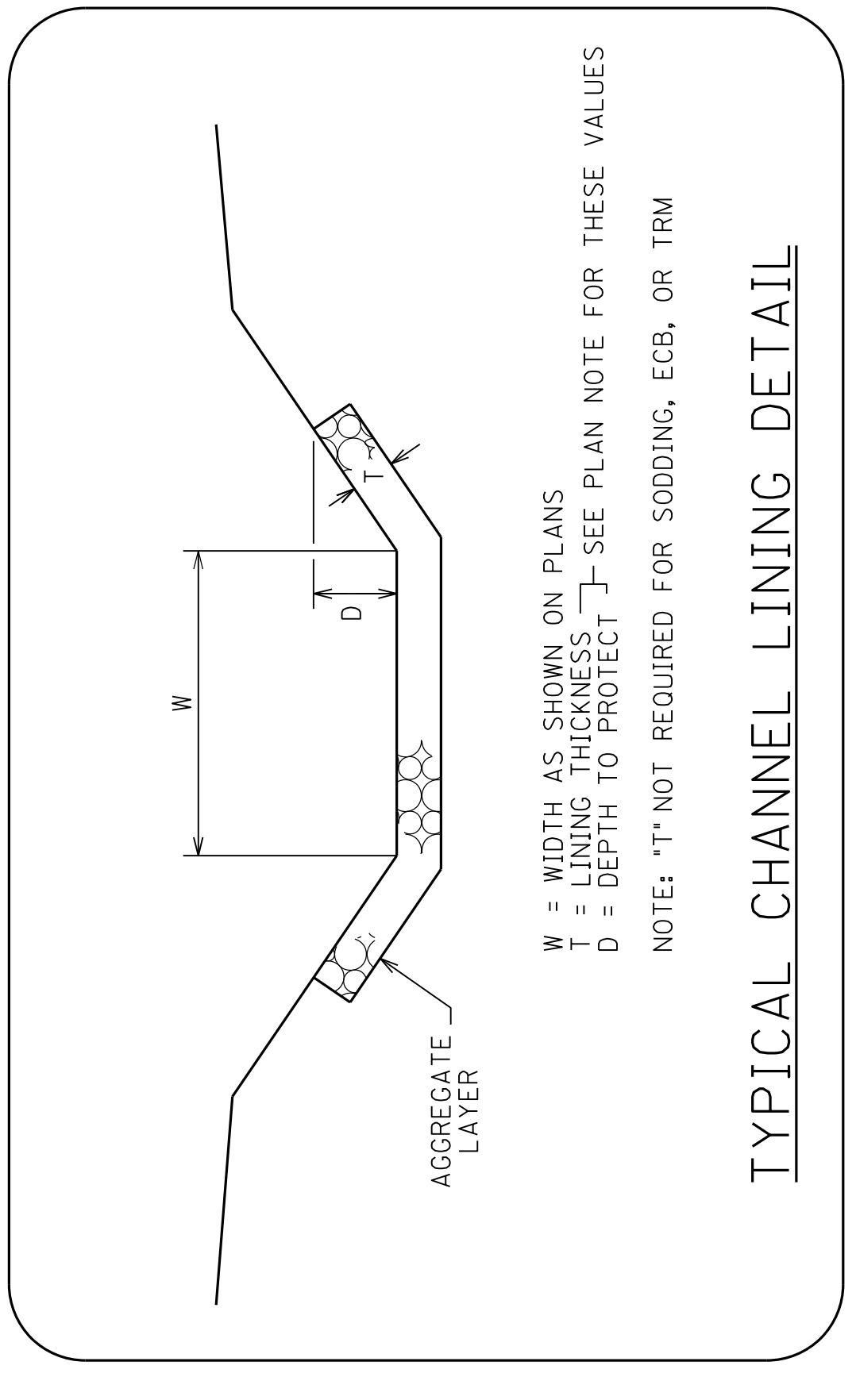


DETAIL E

CONCRETE ENTRANCE

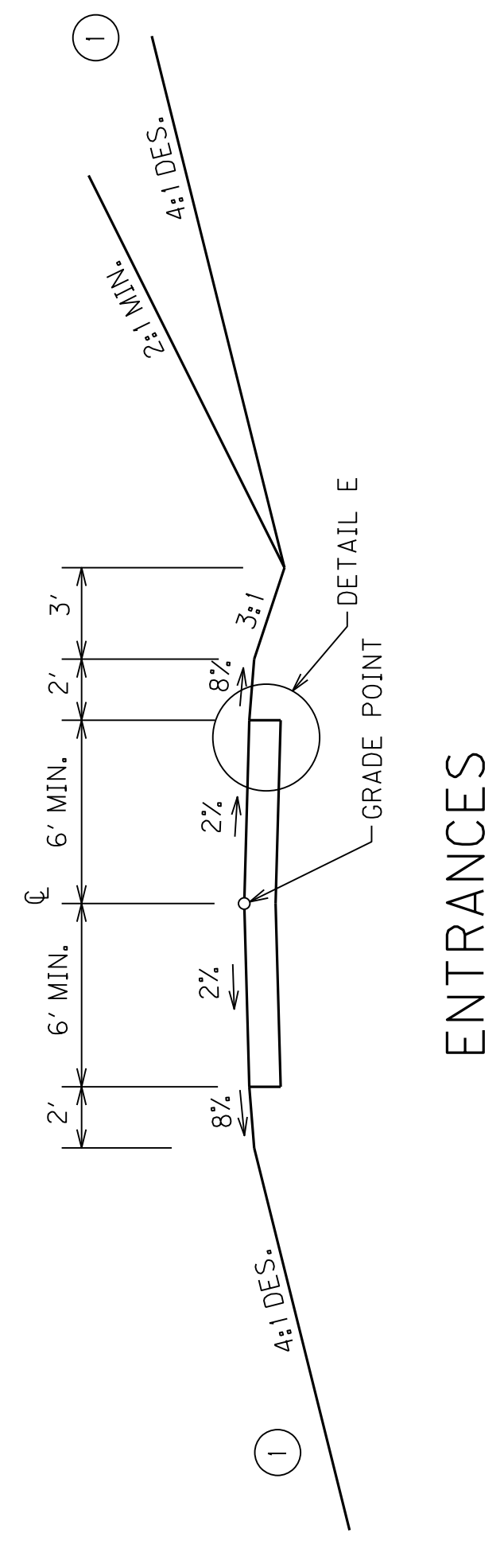


DETAIL E



W = WIDTH AS SHOWN ON PLANS
T = LINING THICKNESS — SEE PLAN NOTE FOR THESE VALUES
D = DEPTH TO PROTECT
NOTE: *T* NOT REQUIRED FOR SODDING, ECB, OR TRM

TYPICAL CHANNEL LINING DETAIL



ENTRANCES

① SEE CROSS SECTIONS FOR SLOPES OUTSIDE THE LIMITS OF THE SHOULDER.

TYPICAL SECTIONS

PAVING AREAS

COUNTY OF MADISON
 ITEM NO. 7-251.10
 7-251.40
 SHEET NO. R2f

ITEM	US 25	SKYLINE DRIVE	CONTINENTAL DRIVE	PACE RAMSEY ROAD	DUNCANNON ROAD	ENTRANCES	S	Q	U	A	R	E	Y	A	R	D	S	TOTAL PROJECT
1.50" CL3 ASPH SURF 0.38A PG64-22																		70211.6
1.50" CL3 ASPH SURF 0.38B PG64-22																		2423.9
1.25" CL2 ASPH SURF 0.38B PG64-22																		5412.0
1.50" CL2 ASPH SURF 0.38D PG64-22	17712.9				112.0													17824.9
3.25" CL3 ASPH BASE 1.00D PG64-22		970.3	1030.2	412.5	2500.0													4913.0
3.50" CL3 ASPH BASE 1.00D PG64-22	133589.8																	133589.8
4.00" CL3 ASPH BASE 1.00D PG64-22					1260.0													1260.0
2.00" CL2 ASPH BASE 1.00D PG64-22						5468.0												5468.0
3.25" CL2 ASPH BASE 1.00D PG64-22					112.0													112.0
3.50" CL2 ASPH BASE 1.00D PG64-22	17712.9																	17712.9
4.00" CRUSHED STONE BASE						4031.0												4031.0
6.00" CRUSHED STONE BASE						2994.0												2994.0
8.00" CRUSHED STONE BASE		500.00	533.76	214.33														1248.1
9.00" CRUSHED STONE BASE	67491.0				1302.0													68793.0
12.50" CRUSHED STONE BASE	17712.9																	17712.9
16.25" CRUSHED STONE BASE					112.0													112.0
8.00" CEM. CONC. ENT. PAVEMENT						1455.0												1455.0
CEMENT STABILIZED ROADBED 8.00"	89202.2				1402.9													90605.1
ASPHALT SEAL AGGREGATE	10859.3				93.8													10953.1
ASPHALT SEAL COAT	10859.3				93.8													10953.1
ASPHALT MATERIAL FOR TACK	154323.5	955.8	1012.1	404.7	3856.0	5412.0												165964.1

PAVING SUMMARY

ITEM CODE	ITEM	UNIT	US 25	SKYLINE DRIVE	CONTINENTAL DRIVE	PACE RAMSEY ROAD	DUNCANNON ROAD	ENTRANCES	TOTAL PROJECT
3	CRUSHED STONE BASE ① ⑥	TON	68637.9	230.0	245.5	98.6	1027.6	1960.1	72199.7
8	CEMENT STABILIZED ROADBED	SO YD	89202.2				1402.9		90605.1
20	TRAFFIC BOUND BASE ② ③	TON							2000.0
100	ASPHALT SEAL AGGREGATE ④	TON	217.2				1.9		219.1
212	CL2 ASPH BASE 1,00D PG64-22	TON	3409.7				20.0	601.5	4031.2
214	CL3 ASPH BASE 1,00D PG64-22	TON	25716.1	173.5	184.2	73.8	724.1		26871.7
103	ASPHALT SEAL COAT ⑤	TON	26.1				0.3		26.4
301	CL2 ASPH SURF 0.38D PG64-22	TON	1461.3				9.2		1470.5
307	CL2 ASPH SURF 0.38B PG64-22	TON					372.1		372.1
356	ASPHALT MATERIAL FOR TACK ⑩	TON	64.8	0.4	0.4	0.2	1.6	2.3	69.7
358	ASPHALT CURING SEAL ⑧	TON	178.4				2.8		181.2
388	CL3 ASPH SURF 0.38B PG64-22	TON		39.2	41.5	16.6	102.6		199.9
2101	CEM CONC ENT PAVEMENT - 8 IN	SO YD					1455.0		1455.0
2542	CEMENT ⑦	TON	1653.8				26.0		1679.8
2676	MOBILIZATION FOR MILL & TEXT	LS							1
2677	ASPHALT PAVE MILLING & TEXTURING	TON	342.5						342.5
2702	SAND FOR BLOTTER ⑨	TON	223.0				3.5		226.5
22906ES403	CL3 ASPH SURF 0.38A PG64-22	TON	5792.5						5792.5

- ① ESTIMATED AT 115 LBS. PER SQ. YD. PER INCH OF DEPTH.
- ② ESTIMATED AT 100 LBS. PER SQ. YD. PER INCH OF DEPTH.
- ③ 2000.0 TONS ADDED FOR MAINTENANCE OF TRAFFIC
- ④ US 25 SHOULDER ASPHALT SEAL AGGREGATE CALCULATION
10859.3 SY @ 20LB/SY*2 =217.2 TONS
- ⑤ US 25 SHOULDER ASPHALT SEAL COAT CALCULATION
10859.3 SY @ 2.4LB/SY*2 =26.1 TONS
- DUNCANNON ROAD SHOULDER ASPHALT SEAL COAT CALCULATION (2 APPLICATIONS)
93.8 SY @ 2.4LB/SY*2 =0.3 TONS
- ⑥ US 25 FULL DEPTH SHOULDER CALCULATION
10135.4 CU YD ESTIMATED AT 2.07 TONS/CY=20980.3 TONS
- 2676 MOBILIZATION FOR MILL & TEXT
- 2677 ASPHALT PAVE MILLING & TEXTURING
- 2702 SAND FOR BLOTTER ⑨
- 22906ES403 CL3 ASPH SURF 0.38A PG64-22
- ⑦ ESTIMATED AT 6% BY DRY WEIGHT AT 103 LBS. PER CU. FT.
- ⑧ ESTIMATED AT 2.0 LBS. PER SQ. YD. (2 APPLICATIONS)
- ⑨ ESTIMATED AT 5.0 LBS. PER SQ. YD. (2 APPLICATIONS)
- ⑩ ASPHALT MATERIAL FOR TACK SHALL BE APPLIED IN BETWEEN EACH LAYER OF ASPHALT. ESTIMATED @ 0.84 LBS PER SQ. YD.

NOTES

ALL ASPHALT MIXTURES SHALL BE ESTIMATED AT 110 LBS. PER SQ. YD. PER INCH OF DEPTH, UNLESS NOTED OTHERWISE.

COUNTY OF	ITEM NO.	SHEET NO.
MADISON	7-251.10 7-251.40	R29

PAVING SUMMARY

ITEM CODE	ITEM	UNIT	US 25	SKYLINE DRIVE	CONTINENTAL DRIVE	PACE RAMSEY ROAD	DUNCANNON ROAD	ENTRANCES	TOTAL PROJECT
3	CRUSHED STONE BASE ① ⑥	TON	68637.9	230.0	245.5	98.6	1027.6	1960.1	72199.7
8	CEMENT STABILIZED ROADBED	SO YD	89202.2				1402.9		90605.1
20	TRAFFIC BOUND BASE ② ③	TON							2000.0
100	ASPHALT SEAL AGGREGATE ④	TON	217.2				1.9		219.1
212	CL2 ASPH BASE 1,00D PG64-22	TON	3409.7				20.0	601.5	4031.2
214	CL3 ASPH BASE 1,00D PG64-22	TON	25716.1	173.5	184.2	73.8	724.1		26871.7
103	ASPHALT SEAL COAT ⑤	TON	26.1				0.3		26.4
301	CL2 ASPH SURF 0.38D PG64-22	TON	1461.3				9.2		1470.5
307	CL2 ASPH SURF 0.38B PG64-22	TON					372.1		372.1
356	ASPHALT MATERIAL FOR TACK ⑩	TON	64.8	0.4	0.4	0.2	1.6	2.3	69.7
358	ASPHALT CURING SEAL ⑧	TON	178.4				2.8		181.2
388	CL3 ASPH SURF 0.38B PG64-22	TON	39.2	41.5	16.6		102.6		199.9
2101	CEM CONC ENT PAVEMENT - 8 IN	SO YD	1455.0				1455.0		1455.0
2542	CEMENT ⑦	TON	1653.8				26.0		1679.8
2676	MOBILIZATION FOR MILL & TEXT	LS							1
2677	ASPHALT PAVE MILLING & TEXTURING	TON	342.5						342.5
2702	SAND FOR BLOTTER ⑨	TON	223.0				3.5		226.5
22906ES403	CL3 ASPH SURF 0.38A PG64-22	TON	5792.5						5792.5

① ESTIMATED AT 115 LBS. PER SQ. YD. PER INCH OF DEPTH.

② ESTIMATED AT 100 LBS. PER SQ. YD. PER INCH OF DEPTH.

③ 2000.0 TONS ADDED FOR MAINTENANCE OF TRAFFIC

④ US 25 SHOULDER ASPHALT SEAL AGGREGATE CALCULATION
 DUNCANNON ROAD SHOULDER ASPHALT SEAL
 93.8 SY @ 20LB/SY*2
 (2 APPLICATIONS)
 =1.9 TONS

⑤ US 25 SHOULDER ASPHALT SEAL COAT CALCULATION
 DUNCANNON ROAD SHOULDER ASPHALT SEAL COAT CALCULATION
 10859.3 SY @ 2.4LB/SY*2
 (2 APPLICATIONS)
 =26.1 TONS

⑥ US 25 FULL DEPTH SHOULDER CALCULATION
 10135.4 CU YD ESTIMATED AT 2.07 TONS/CY=20980.3 TONS
 DUNCANNON ROAD FULL DEPTH SHOULDER CALCULATION
 120.4 CU YD ESTIMATED AT 2.07 TONS/CY=249.2 TONS

⑦ ESTIMATED AT 6% BY DRY WEIGHT AT 103 LBS. PER CU. FT.

⑧ ESTIMATED AT 2.0 LBS. PER SQ. YD. (2 APPLICATIONS)

⑨ ESTIMATED AT 5.0 LBS. PER SQ. YD. ASPHALT MATERIAL FOR TACK SHALL BE APPLIED IN BETWEEN EACH LAYER OF ASPHALT.

⑩ ASPHALT MATERIAL FOR TACK ESTIMATED @ 0.84 LBS PER SQ. YD.

NOTES
 ALL ASPHALT MIXTURES SHALL BE ESTIMATED AT 110 LBS. PER SQ. YD. PER INCH OF DEPTH, UNLESS NOTED OTHERWISE.

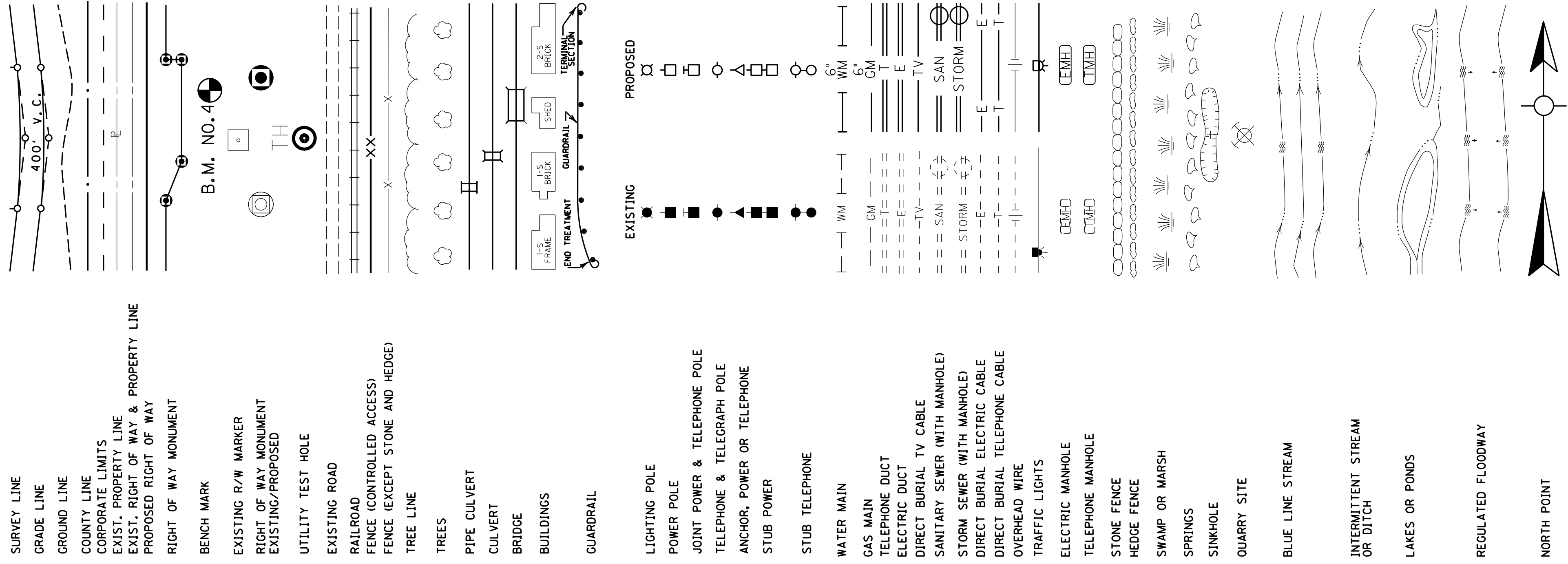
COUNTY OF MADISON

ITEM NO. 7-251.10
7-251.40

SHEET NO. R29

PAVING SUMMARY

CONVENTIONAL SIGNS



DITCH CONSTRUCTION - LEFT

STATION	SIZE-SHAPE TYPE	TYPE	QUANTITY	LINING
65+10 - 67+50	2' F.B. SURF. DT.	CLASS II	108 TONS	1.0' 15"
67+50 - 68+27.4	6' F.B. SURF. DT.	CLASS III	21 TONS	1.0' 24"
68+27.4	10' F.B. INLET DT.	CLASS III	22 TONS	1.0' 24"
68+27.4 - 69+00	2' F.B. SURF. DT.	CLASS III	53 TONS	1.0' 24"
69+50 - 72+48.9	NORMAL ROWY. DT.	ECB	415 SQ. YD.	1.5'
73+50 - 73+67	2' F.B. SPL. DT.	CLASS II	31 TONS	1.0' 15"
73+67 - 74+00	2' F.B. SPL. DT.	CLASS II	24 TONS	1.0' 15"

ECB - EROSION CONTROL BLANKET

ASPHALT

1-STY. METAL COMM.

CONC.

ASPHALT

CHAIN LINK FENCE

W/ LIGHTS

FLAG POLES

W/ LIGHTS

CONC. ENTRANCE

ENTRANCE PAVEMENT

ASPHALT

CHAIN LINK FENCE

W/ LIGHTS

CONC. ENTRANCE

ENTRANCE PAVEMENT

ASPHALT

CHAIN LINK FENCE

W/ LIGHTS

CONC. ENTRANCE

ENTRANCE PAVEMENT

ASPHALT

CHAIN LINK FENCE

W/ LIGHTS

CONC. ENTRANCE

ENTRANCE PAVEMENT

ASPHALT

CHAIN LINK FENCE

W/ LIGHTS

CONC. ENTRANCE

ENTRANCE PAVEMENT

ASPHALT

CHAIN LINK FENCE

W/ LIGHTS

CONC. ENTRANCE

ENTRANCE PAVEMENT

ASPHALT

CHAIN LINK FENCE

W/ LIGHTS

CONC. ENTRANCE

ENTRANCE PAVEMENT

ASPHALT

DITCH CONSTRUCTION - RIGHT

STATION	SIZE-SHAPE TYPE	TYPE	QUANTITY	LINING
68+27.4	10' F.B. OUTLET DT.	CLASS III	22 TONS	2.0' 24"
72+48.9	8' F.B. OUTLET DT.	CLASS III	46 TONS	2.0' 24"
72+53.7 - 73+50	2' F.B. SPL. DT.	CLASS II	44 TONS	1.0' 15"
73+50 - 75+00	SPL. "V" DT.	ECB	106 SQ. YD.	1.0'
SKYLINE DRIVE				
8+75 - 9+55	2' F.B. SPL. DT.	CLASS II	49 TONS	1.0' 15"

ECB - EROSION CONTROL BLANKET

ASPHALT

1-STY. METAL COMM.

CONC.

ASPHALT

CHAIN LINK FENCE

W/ LIGHTS

FLAG POLES

W/ LIGHTS

CONC. ENTRANCE

ENTRANCE PAVEMENT

ASPHALT

CHAIN LINK FENCE

W/ LIGHTS

CONC. ENTRANCE

ENTRANCE PAVEMENT

ASPHALT

CHAIN LINK FENCE

W/ LIGHTS

CONC. ENTRANCE

ENTRANCE PAVEMENT

ASPHALT

CHAIN LINK FENCE

W/ LIGHTS

CONC. ENTRANCE

ENTRANCE PAVEMENT

ASPHALT

CHAIN LINK FENCE

W/ LIGHTS

CONC. ENTRANCE

ENTRANCE PAVEMENT

ASPHALT

CHAIN LINK FENCE

W/ LIGHTS

CONC. ENTRANCE

ENTRANCE PAVEMENT

ASPHALT

CHAIN LINK FENCE

W/ LIGHTS

CONC. ENTRANCE

ENTRANCE PAVEMENT

ASPHALT

STA. 9+79 SKYLINE DRIVE REMOVE HEADWALLS & SAFELOAD EXIST. 15" RCP (5 C.Y.)

PC STA. 5+27.37

RUIN

PI STA. 6+38.36

LT. STA. 7+99.8 SKYLINE DRIVE

CONST. 10' F.B. INLET DT.

8" CEM. CONC. ENT. PAVEMENT - 71 SY

4" CRUSHED STONE BASE - 14 SK

P.I. 6+38.36

D = 3' 10" 43' RT.

C = 1' 25' 57"

T = 110.99'

L = 221.92'

R = 4000.00'

E = 1.54'

e = NC

RT. STA. 7+50 TO STA. 8+77.5 SKYLINE DRIVE

CONST. 8" CEM. CONC. ENT. PAVEMENT - 280 SY

4" CRUSHED STONE BASE - 280 SY

PI STA. 6+38.36

RT. STA. 7+50 TO STA. 8+77.5 SKYLINE DRIVE

CONST. 8" CEM. CONC. ENT. PAVEMENT - 280 SY

4" CRUSHED STONE BASE - 280 SY

PI STA. 6+38.36

RT. STA. 7+50 TO STA. 9+29.9 SKYLINE DRIVE

CONST. 8" CEM. CONC. ENT. PAVEMENT - 280 SY

4" CRUSHED STONE BASE - 280 SY

PI STA. 6+38.36

RT. STA. 7+50 TO STA. 9+29.9 SKYLINE DRIVE

CONST. 8" CEM. CONC. ENT. PAVEMENT - 280 SY

4" CRUSHED STONE BASE - 280 SY

PI STA. 6+38.36

RT. STA. 7+50 TO STA. 10+00.00 SKYLINE DRIVE

CONST. 8" CEM. CONC. ENT. PAVEMENT - 142 SY

4" CRUSHED STONE BASE - 142 SY

PI STA. 6+38.36

RT. STA. 7+50 TO STA. 10+00.00 SKYLINE DRIVE

CONST. 8" CEM. CONC. ENT. PAVEMENT - 142 SY

4" CRUSHED STONE BASE - 142 SY

PI STA. 6+38.36

RT. STA. 8+77.2 SKYLINE DRIVE

CONST. 8" CEM. CONC. ENT. PAVEMENT - 515 SY

4" CRUSHED STONE BASE - 515 SY

PI STA. 6+38.36

RT. STA. 8+77.2 SKYLINE DRIVE

CONST. 8" CEM. CONC. ENT. PAVEMENT - 515 SY

4" CRUSHED STONE BASE - 515 SY

PI STA. 6+38.36

RT. STA. 70+29.0 US 25

CONST. 12" ASPHALT SURFACE - 67 SY

2" ASPHALT SURFACE - 67 SY

4" CRUSHED STONE BASE - 70 SY

PI STA. 6+38.36

RT. STA. 70+29.0 US 25

CONST. 12" ASPHALT SURFACE - 67 SY

2" ASPHALT SURFACE - 67 SY

4" CRUSHED STONE BASE - 70 SY

PI STA. 6+38.36

RT. STA. 73+65 TO STA. 75+00 CONST.

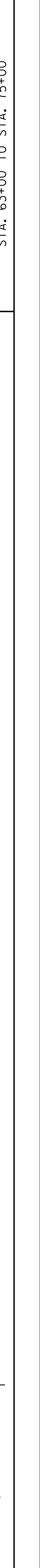
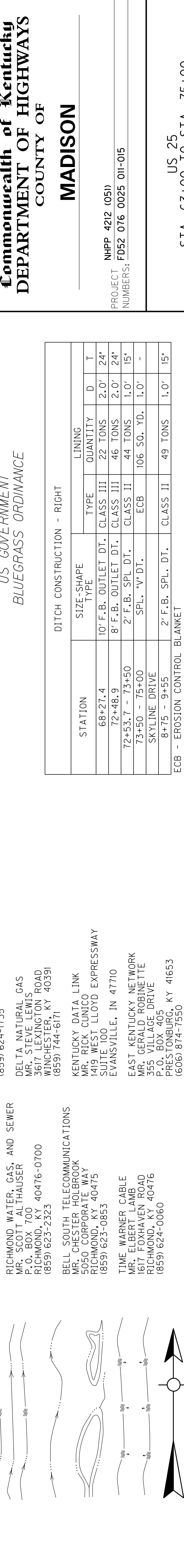
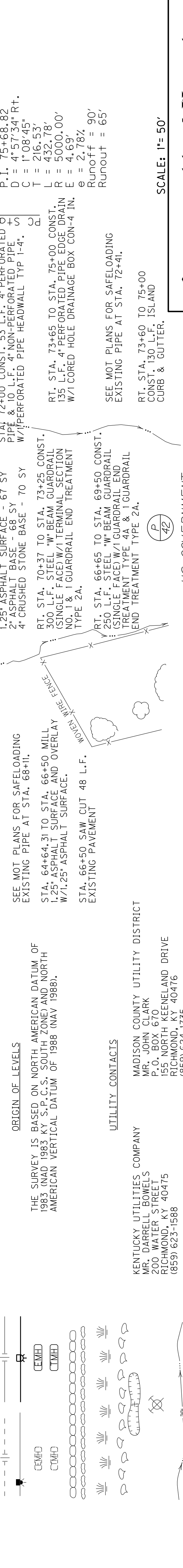
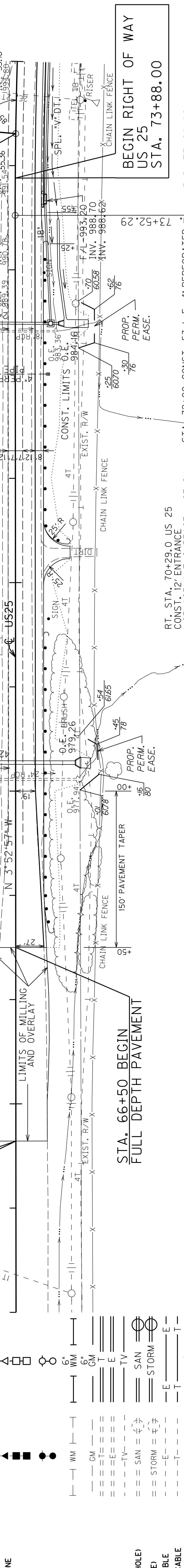
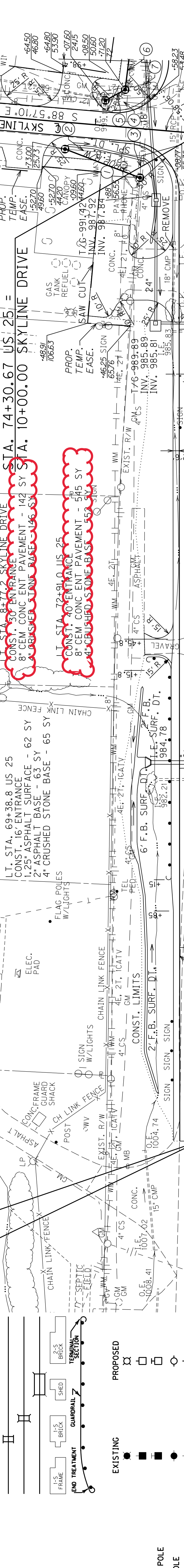
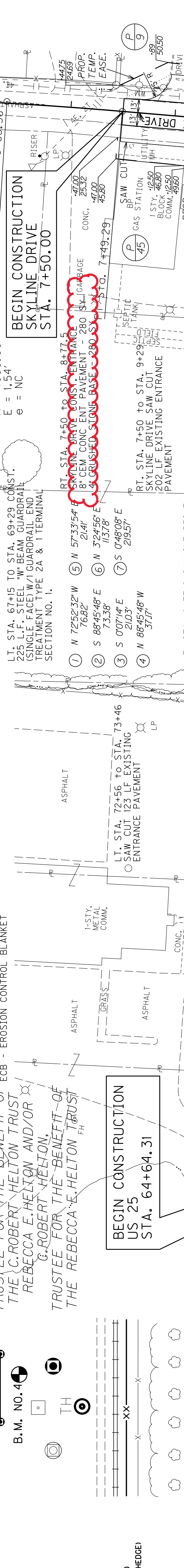
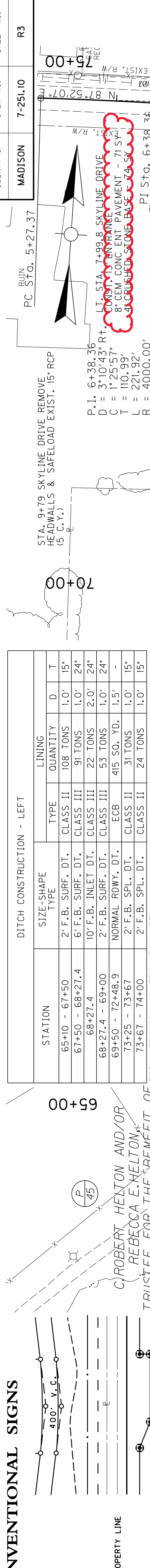
135 L.F. 4" PERFORATED PIPE EDGE DRAIN

W/ 1" CORED HOLE DRAINAGE BOX CON-4 IN.

E = 2.78%

Runoff = 90'

Runout = 65'



Commonwealth of Kentucky
DEPARTMENT OF HIGHWAYS
 COUNTY OF
MADISON

NHPP 4212 (051)
 PROJECT FD52 076 0025 011-015
 NUMBERS:

US 25
 STA. 63+00 TO STA. 75+00

US GOVERNMENT
 BLUEGRASS ORDINANCE

SCALE: 1" = 50'

SEE MOT PLANS FOR SAFELOADING EXISTING PIPE AT STA. 72+41.

RT. STA. 73+60 TO 75+00 CONST. 130 L.F. ISLAND CURB & GUTTER.

RT. STA. 66+65 TO STA. 69+50 CONST. 250 L.F. STEEL W/ BEAM GUARDRAIL (SINGLE FACE) W/ GUARDRAIL END TREATMENT TYPE 4A & J GUARDRAIL END TREATMENT TYPE 2A.

RT. STA. 73+65 TO STA. 75+00 CONST. 135 L.F. 4" PERFORATED PIPE EDGE DRAIN W/ 1" CORED HOLE DRAINAGE BOX CON-4 IN.

E = 2.78%
 Runoff = 90'
 Runout = 65'

UTILITY CONTACTS

KENTUCKY UTILITIES COMPANY
 MR. DARRELL BOWLES
 200 WAREL STREET
 RICHMOND, KY 40475
 (859) 623-1588

RICHMOND WATER, GAS, AND SEWER
 MR. SCOTT ALTHAUSER
 P.O. BOX 700
 RICHMOND, KY 40476-0700
 (859) 623-2323

BELL SOUTH TELECOMMUNICATIONS
 MR. CHESTER HOLBROOK
 5050 CORPORATE WAY
 RICHMOND, KY 40475
 (859) 623-0853

TIME WARNER CABLE
 MR. ELBERT LAMB
 1617 FOXHAVEN ROAD
 RICHMOND, KY 40476
 (859) 624-0060

KENTUCKY DATA LINK
 MR. RICK CUNICO
 1419 WEST LLOYD EXPRESSWAY
 SUITE 100
 EVANSVILLE, IN 47710
 (859) 744-6171

MADISON COUNTY UTILITY DISTRICT
 MR. JOHN CLARK
 P.O. BOX 670
 155 NORTH KEENELEND DRIVE
 RICHMOND, KY 40476
 (859) 624-1735

DELTA NATURAL GAS
 MR. STEVE LEWIS
 3617 LEXINGTON ROAD
 WINCHESTER, KY 40391
 (859) 744-6171

EAST KENTUCKY NETWORK
 MR. GERALD ROBINETTE
 355 VILLAGE DRIVE
 P.O. BOX 405
 PRESTONBURG, KY 41653
 (606) 874-7550

CONVENTIONAL SIGNS

US 25
 STA. 64+64.31

US 25
 STA. 66+50 BEGIN FULL DEPTH PAVEMENT

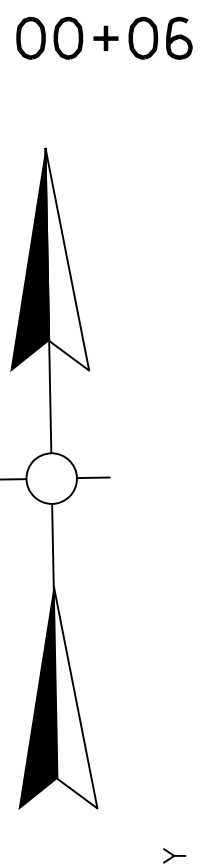
US 25
 STA. 74+30.67 US 25 = STA. 10+00.00 SKYLINE DRIVE

US 25
 STA. 75+58.82

US 25
 STA. 73+88.00 BEGIN RIGHT OF WAY

US 25
 STA. 75+00

THE OKONITE COMPANY, INC.



LT. STA. 86+13.9 US 25
CONST. 24" ENTRANCE W/
82 L.F. 24" ENTRANCE PIPE
1.25" ASPHALT SURFACE - 1468 SY
2" ASPHALT BASE - 471 SY
6" CRUSHED STONE BASE - 476 SY

85+00

80+00

80+00

80+00

00+50

STATION	SIZE-SHAPE TYPE	LINING	
		TYPE	QUANTITY
US 25			
75+00 - 76+00	NORMAL RDWY. DT.	ECB	139 SO. YD. 1.5'
77+00 - 78+04.9	SPL. "V" DT.	ECB	146 SO. YD. 1.5'
78+43.9 - 79+12	SPL. "V" DT.	ECB	63 SO. YD. 1.0'
79+45.9 - 80+53.3	2' F.B. SURF. DT.	CLASS III	49 TONS 1.0'
80+53.3 - 81+50	8' F.B. INLET DT.	CLASS III	40 TONS 2.0'
81+50 - 81+69.2	SPL. "V" DT.	ECB	18 SO. YD. 1.0'
82+07.1 - 83+60.3	SPL. "V" DT.	ECB	142 SO. YD. 1.0'
83+97.3 - 85+56.6	2' F.B. SPL. DT.	CLASS II	115 TONS 1.0'
85+56.6 - 85+56.5	8' F.B. INLET DT.	CLASS III	21 TONS 2.0'
85+56.6 - 85+70.8	2' F.B. SPL. DT.	CLASS II	19 TONS 2.0'
86+52.8 - 90+00	2' F.B. SPL. DT.	ECB	721 SO. YD. 2.0'
CONTINENTAL DRIVE			
7+71.5 - 9+41.8	SPL. "V" DT.	ECB	165 SO. YD. 1.0'

DITCH CONSTRUCTION - LEFT	
US 25	
75+00 - 76+00	NORMAL RDWY. DT.
77+00 - 78+04.9	SPL. "V" DT.
78+43.9 - 79+12	SPL. "V" DT.
79+45.9 - 80+53.3	2' F.B. SURF. DT.
80+53.3 - 81+50	8' F.B. INLET DT.
81+50 - 81+69.2	SPL. "V" DT.
82+07.1 - 83+60.3	SPL. "V" DT.
83+97.3 - 85+56.6	2' F.B. SPL. DT.
85+56.6 - 85+56.5	8' F.B. INLET DT.
85+56.6 - 85+70.8	2' F.B. SPL. DT.
86+52.8 - 90+00	2' F.B. SPL. DT.
CONTINENTAL DRIVE	
7+71.5 - 9+41.8	SPL. "V" DT.

DITCH CONSTRUCTION - RIGHT	
US 25	
75+00 - 75+50	SPL. "V" DT.
78+75 - 79+70	2' F.B. SPL. DT.
80+60.5 - 81+75	10' F.B. OUTLET DT.
81+75 - 84+75	NORMAL RDWY. DT.
85+74.1 - 88+50	8' F.B. OUTLET DT.
89+98 - 89+98	SPL. "V" DT.
CONTINENTAL DRIVE	
7+17 - 9+15	2' F.B. SURF. DT.

DITCH CONSTRUCTION - LEFT	
US 25	
75+00 - 76+00	NORMAL RDWY. DT.
77+00 - 78+04.9	SPL. "V" DT.
78+43.9 - 79+12	SPL. "V" DT.
79+45.9 - 80+53.3	2' F.B. SURF. DT.
80+53.3 - 81+50	8' F.B. INLET DT.
81+50 - 81+69.2	SPL. "V" DT.
82+07.1 - 83+60.3	SPL. "V" DT.
83+97.3 - 85+56.6	2' F.B. SPL. DT.
85+56.6 - 85+56.5	8' F.B. INLET DT.
85+56.6 - 85+70.8	2' F.B. SPL. DT.
86+52.8 - 90+00	2' F.B. SPL. DT.
CONTINENTAL DRIVE	
7+71.5 - 9+41.8	SPL. "V" DT.

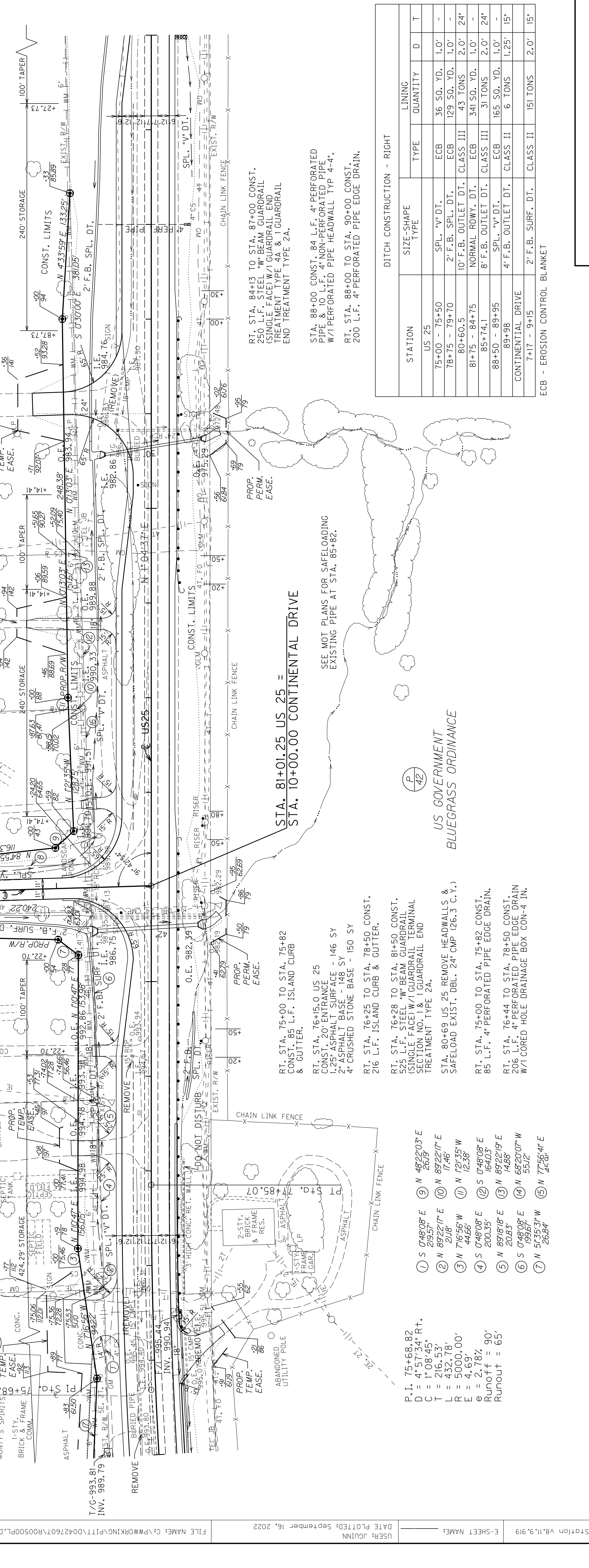
DITCH CONSTRUCTION - RIGHT	
US 25	
75+00 - 75+50	SPL. "V" DT.
78+75 - 79+70	2' F.B. SPL. DT.
80+60.5 - 81+75	10' F.B. OUTLET DT.
81+75 - 84+75	NORMAL RDWY. DT.
85+74.1 - 88+50	8' F.B. OUTLET DT.
89+98 - 89+98	SPL. "V" DT.
CONTINENTAL DRIVE	
7+17 - 9+15	2' F.B. SURF. DT.

DITCH CONSTRUCTION - LEFT	
US 25	
75+00 - 76+00	NORMAL RDWY. DT.
77+00 - 78+04.9	SPL. "V" DT.
78+43.9 - 79+12	SPL. "V" DT.
79+45.9 - 80+53.3	2' F.B. SURF. DT.
80+53.3 - 81+50	8' F.B. INLET DT.
81+50 - 81+69.2	SPL. "V" DT.
82+07.1 - 83+60.3	SPL. "V" DT.
83+97.3 - 85+56.6	2' F.B. SPL. DT.
85+56.6 - 85+56.5	8' F.B. INLET DT.
85+56.6 - 85+70.8	2' F.B. SPL. DT.
86+52.8 - 90+00	2' F.B. SPL. DT.
CONTINENTAL DRIVE	
7+71.5 - 9+41.8	SPL. "V" DT.

DITCH CONSTRUCTION - RIGHT	
US 25	
75+00 - 75+50	SPL. "V" DT.
78+75 - 79+70	2' F.B. SPL. DT.
80+60.5 - 81+75	10' F.B. OUTLET DT.
81+75 - 84+75	NORMAL RDWY. DT.
85+74.1 - 88+50	8' F.B. OUTLET DT.
89+98 - 89+98	SPL. "V" DT.
CONTINENTAL DRIVE	
7+17 - 9+15	2' F.B. SURF. DT.

DITCH CONSTRUCTION - LEFT	
US 25	
75+00 - 76+00	NORMAL RDWY. DT.
77+00 - 78+04.9	SPL. "V" DT.
78+43.9 - 79+12	SPL. "V" DT.
79+45.9 - 80+53.3	2' F.B. SURF. DT.
80+53.3 - 81+50	8' F.B. INLET DT.
81+50 - 81+69.2	SPL. "V" DT.
82+07.1 - 83+60.3	SPL. "V" DT.
83+97.3 - 85+56.6	2' F.B. SPL. DT.
85+56.6 - 85+56.5	8' F.B. INLET DT.
85+56.6 - 85+70.8	2' F.B. SPL. DT.
86+52.8 - 90+00	2' F.B. SPL. DT.
CONTINENTAL DRIVE	
7+71.5 - 9+41.8	SPL. "V" DT.

DITCH CONSTRUCTION - RIGHT	
US 25	
75+00 - 75+50	SPL. "V" DT.
78+75 - 79+70	2' F.B. SPL. DT.
80+60.5 - 81+75	10' F.B. OUTLET DT.
81+75 - 84+75	NORMAL RDWY. DT.
85+74.1 - 88+50	8' F.B. OUTLET DT.
89+98 - 89+98	SPL. "V" DT.
CONTINENTAL DRIVE	
7+17 - 9+15	2' F.B. SURF. DT.



RT. STA. 84+13 TO STA. 87+00 CONST.
250 L.F. STEEL "W" BEAM GUARDRAIL
(SINGLE FACE) W/1 GUARDRAIL END
TREATMENT TYPE 4A & 1 GUARDRAIL
END TREATMENT TYPE 2A.

STA. 88+00 CONST. 84 L.F. 4" PERFORATED
PIPE & 10 L.F. 24" NON-PERFORATED PIPE,
W/1 PERFORATED PIPE HEADWALL TYP 4-4.

RT. STA. 88+00 TO STA. 90+00 CONST.
200 L.F. 4" PERFORATED PIPE EDGE DRAIN.

RT. STA. 75+00 TO STA. 75+82
CONST. 85 L.F. ISLAND CURB
& GUTTER.

RT. STA. 76+15.0 US 25
CONST. 20" ENTRANCE
1.25" ASPHALT SURFACE - 146 SY
2" ASPHALT BASE - 148 SY
4" CRUSHED STONE BASE - 150 SY

RT. STA. 76+25 TO STA. 78+50 CONST.
216 L.F. ISLAND CURB & GUTTER.

RT. STA. 76+28 TO STA. 81+50 CONST.
525 L.F. STEEL "W" BEAM GUARDRAIL
(SINGLE FACE) W/1 GUARDRAIL TERMINAL
SECTION NO. 1 & 1 GUARDRAIL END
TREATMENT TYPE 2A.

STA. 80+69 US 25 REMOVE HEADWALLS &
SAFELOAD EXIST. DBL. 24" CMP (26.3 C.Y.)

RT. STA. 75+00 TO STA. 75+82 CONST.
85 L.F. 4" PERFORATED PIPE EDGE DRAIN.

RT. STA. 76+44 TO STA. 78+50 CONST.
206 L.F. 4" PERFORATED PIPE EDGE DRAIN
W/1 CORED HOLE DRAINAGE BOX CON-4 IN.

P. I. 75+68.82
D = 4' 5" 7" 34" Rt.
C = 1' 08' 45"
T = 216' 53'
L = 432' 78'
R = 5000' 00'
E = 4' 69'
Runoff = 2.787
Runout = 65'

① S 0°48'08" E ⑨ N 45°22'03" E
219'57' 26'59'
② N 89°22'17" E ⑩ N 89°22'17" E
218' 17'46'
③ N 71°56'56" W ⑪ N 72°35'35" W
4466' 12'38'
④ S 0°48'08" E ⑫ S 0°48'08" E
200'35' 164'03'
⑤ N 89°18'18" E ⑬ N 89°22'19" E
208'33' 14'88'
⑥ S 0°48'08" E ⑭ N 68°20'07" W
199'67' 55'12'
⑦ N 57°35'37" W ⑮ N 77°56'41" E
268'4' 45'61'

SEE MOT PLANS FOR SAFELOADING
EXISTING PIPE AT STA. 85+82.

US GOVERNMENT
BLUEGRASS ORDINANCE

US 25
STA. 75+00 TO STA. 90+00

SCALE: 1"=50'